


35x35x6 mm

4.3~5.5 CFM

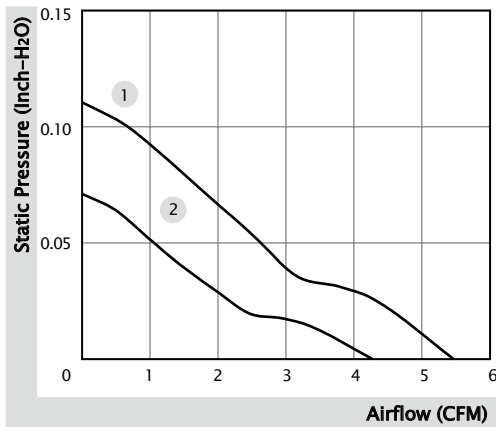


■ Specification

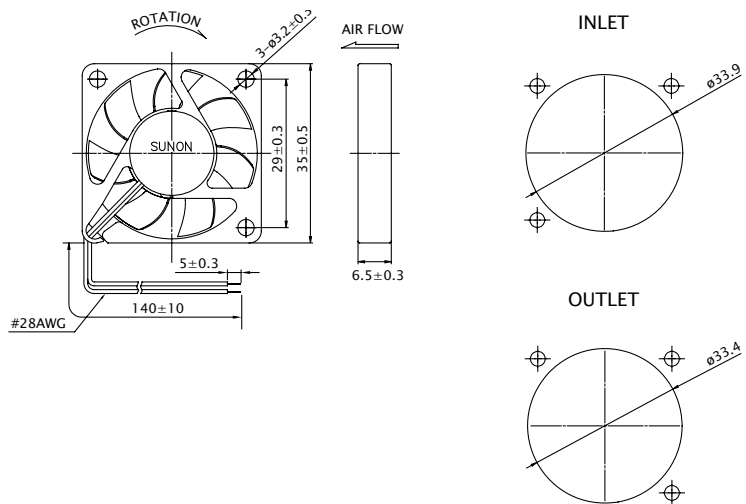
|  | Bearing | Rated Voltage | Power Current | Power Consumption | Speed | Airflow | Static Pressure | Noise | Weight | Curve |
|---|---------|---------------|---------------|-------------------|-------|---------|-------------------------|---------|--------|-------|
| | ● VAPO | (VDC) | (mA) | (WATTS) | (RPM) | (CFM) | (inch-H ₂ O) | (dB(A)) | (g) | |
| MF35060V1-10000-A99 | ● | 12 | 120 | 0.60 | 7600 | 5.5 | 0.11 | 26.0 | 7.0 | 1 |
| MF35060V2-10000-A99 | ● | 12 | 66 | 0.33 | 5800 | 4.3 | 0.07 | 18.3 | 7.0 | 2 |

■ Function R Type : F99 / F Type : G99

■ Air Flow-Static Pressure Characteristics



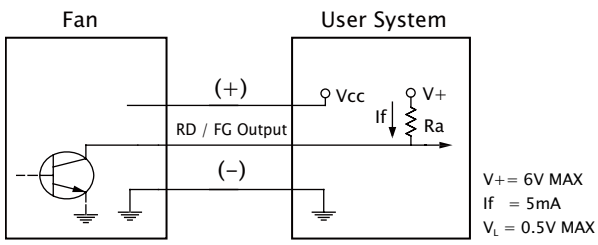
■ External dimensions(mm)



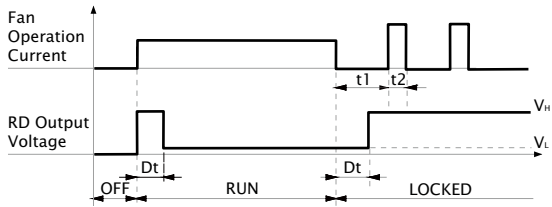
※ All model could be customized. Please contact with Sunon Sales.

※ Specifications are subject to change without notice. Please Visit SUNON website at www.sunon.com for update information.

■ RD / FG Output Signal



[RD Signal]



[FG Signal]

