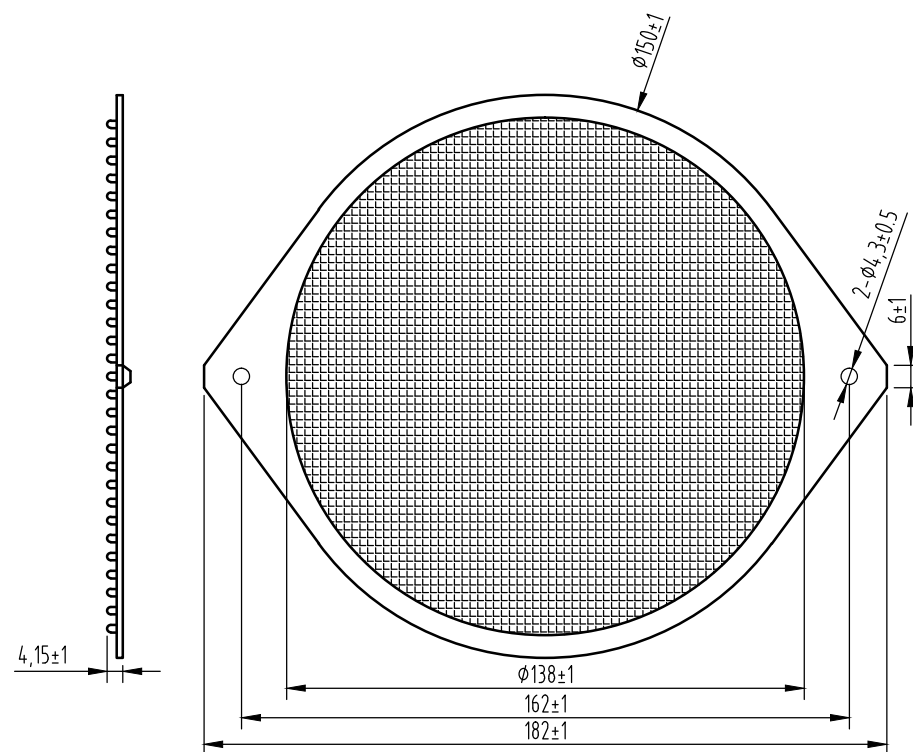


零件圖



NOTE

- 1.材質：(1)框架 鋁板
(2)不銹鋼絲網
2.表面處理：表面清洗干淨。



ISO9001

INVNI TECH DEVELOPING CORP.
NO.7, ALLEY 11, LANE 144, SEC.2, YEN-PING
NORTH ROAD, TAIPEI 103, TAIWAN R.O.C.
TEL: (02)2553-2001 FAX: (02)2553-2004
<http://www.invnitech.com>

| TOLERANCE | | DRAWING | Ryu 20190418 | MODEL | 15公分金屬濾網 S150-MF | | | REV. |
|-----------|------|----------|--------------|----------|------------------|------|----|-------|
| RANGE | TOL± | CHECK | ---- | PART NO. | ---- | | | R-0.1 |
| 0~6 | ±0.1 | APPROVED | ---- | SCALE | A4 1:2 | UNIT | mm | |
| 6~30 | ±0.2 | SYMBOL | REDACTOR | DATE | DESCRIPTION | | | |
| 30~80 | ±0.3 | | ---- | ---- | ---- | | | |
| UPWARD 80 | ±0.4 | | ---- | ---- | ---- | | | |
| ANGLE | ±1° | | ---- | ---- | ---- | | | |