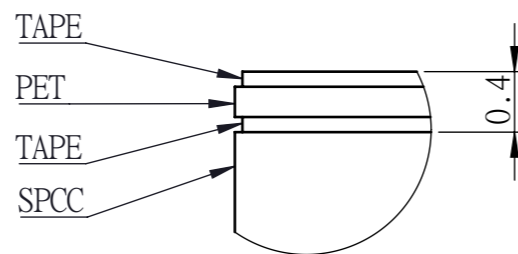
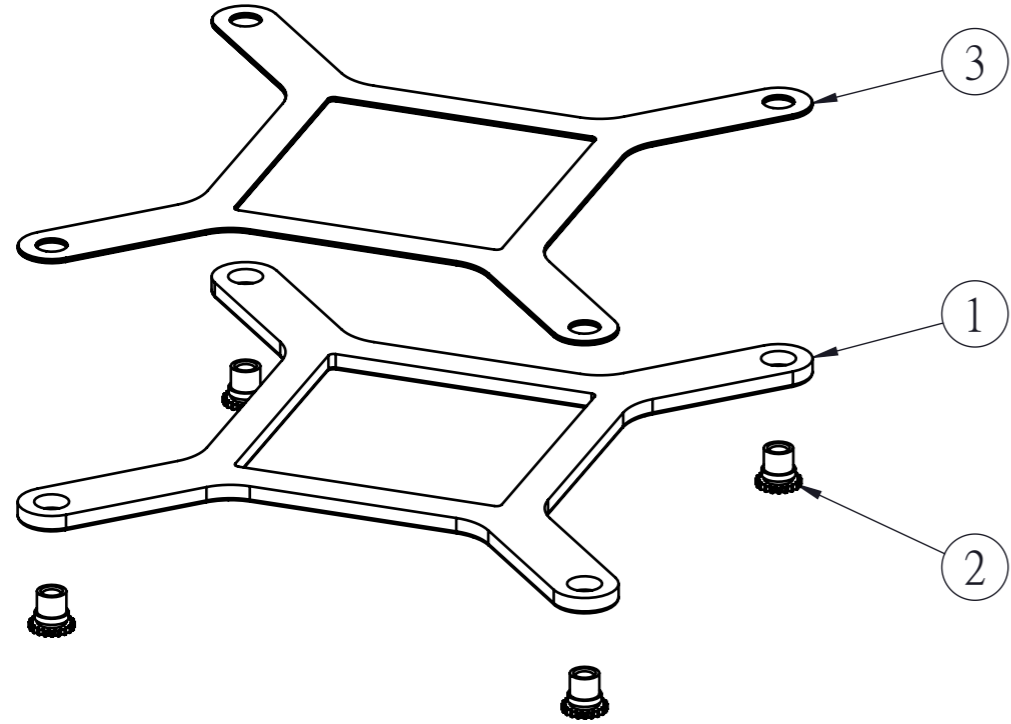
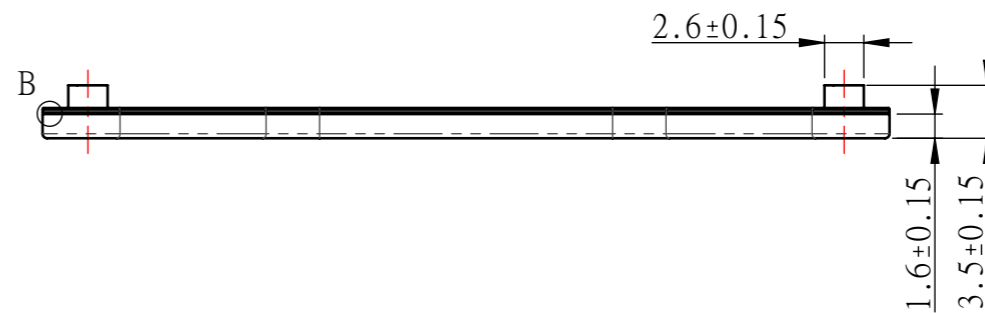
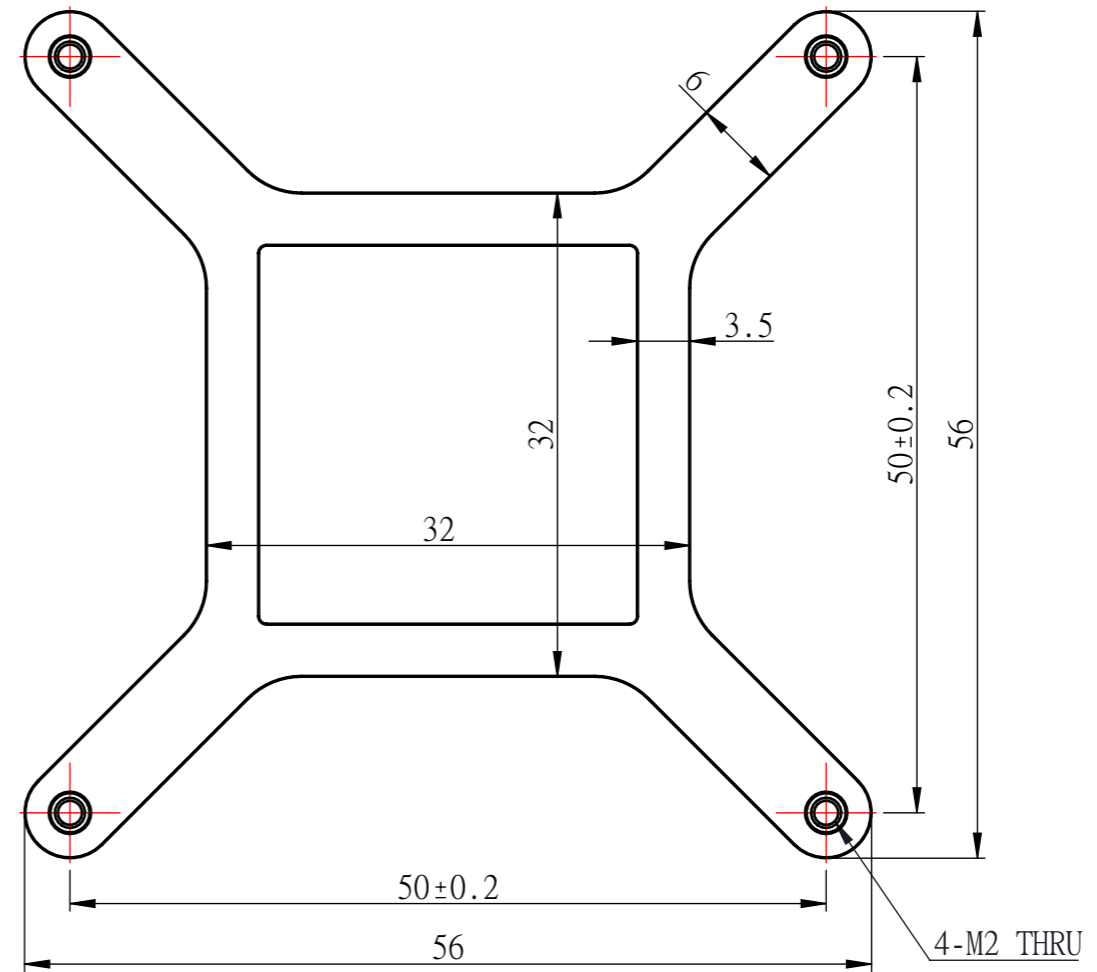


Assembly drawing

ITEM	PART NAME	QTY
1	Plate	1
2	Standoff-m2	4
3	Mylar	1



細部放大圖 B
比例 20 : 1



NOTE
#.All components and their manufacturing processes shall be RoHS compliant.



INVNI TECH DEVELOPING CORP.
NO.7,ALLEY 11,LANE 144,SEC.2,YEN-PING
NORTH ROAD,TAIPEI 103, TAIWAN R.O.C.
TEL:(02)2553-2001 FAX:(02)2553-2004
<http://www.invnitech.com>

DRAWING	Ian 2020/1/15	MODEL	YBP1SM205050-00			REV
CHECK		PART NO.				R-0.1
APPROVED		SCALE	A3 2:1	UNIT	mm	
SYMBOL	REDACTOR	DESCRIPTION				
①						
②						