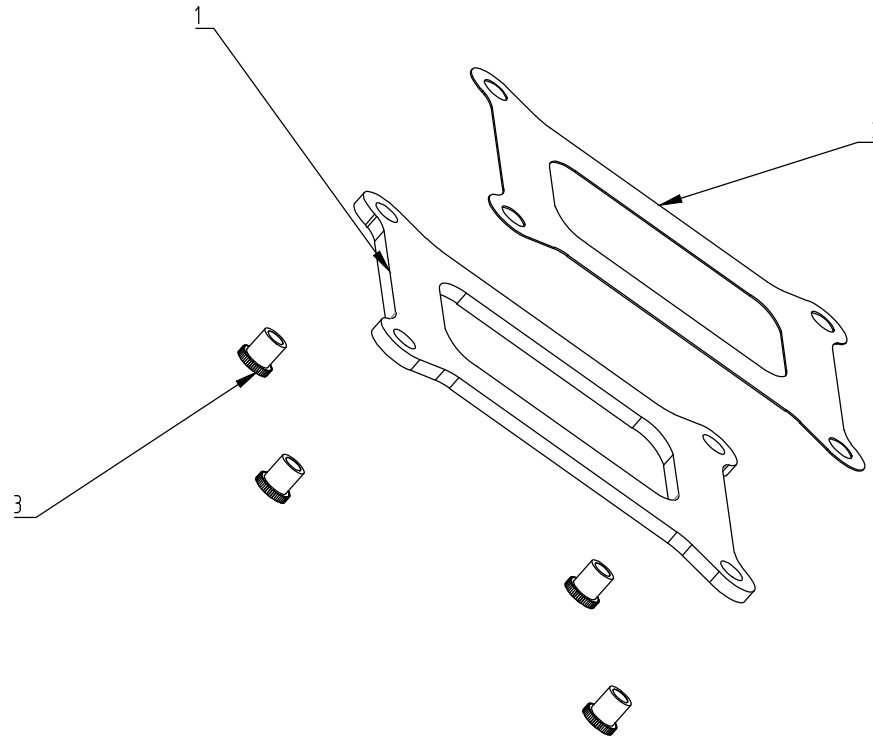


展開圖

ITEM	PART	DESCRIPTION	P / N	QTY
①	背板	SPCC 2.0 64×46×2mm電鍍黑	----	1
②	Mylar	3M 單面背膠64×46×0.2mm	----	1
③	鋼釘	M3×4.8L齒型貫穿	----	4



IS09001

INVNI TECH DEVELOPING CORP.  
 NO. 7, ALLEY 11, LANE 144, SEC. 2, YEN-PING  
 NORTH ROAD, TAIPEI 103, TAIWAN R. O. C.  
 TEL: (02)2553-2001 FAX: (02)2553-2004  
<http://www.invnitech.com>

DRAWING	Louis 20170816	MODEL	ME16079			REV.
CHECK	Max 20170816	PART NO.	----			0.2
APPROVED	----	SCALE	A4 1:1	UNIT	mm	
SYMBOL	REDACTOR	DATE	DESCRIPTION			
	Louis	20170619	鋼柱孔距公差原±0.4修改為±0.2			
	----	----	----			
	----	----	----			